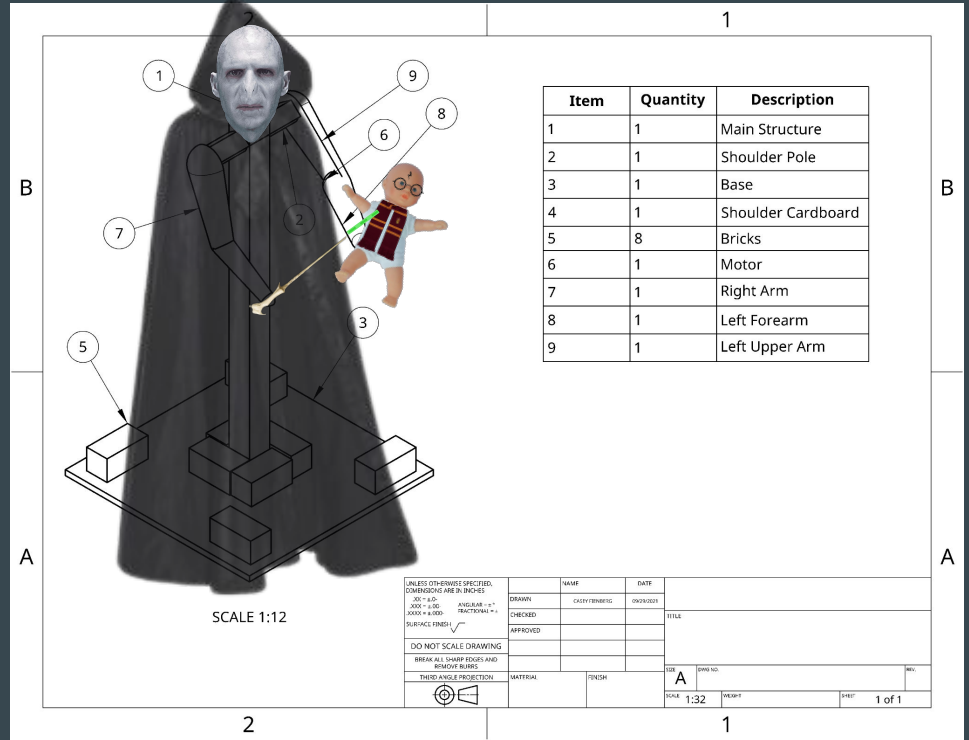
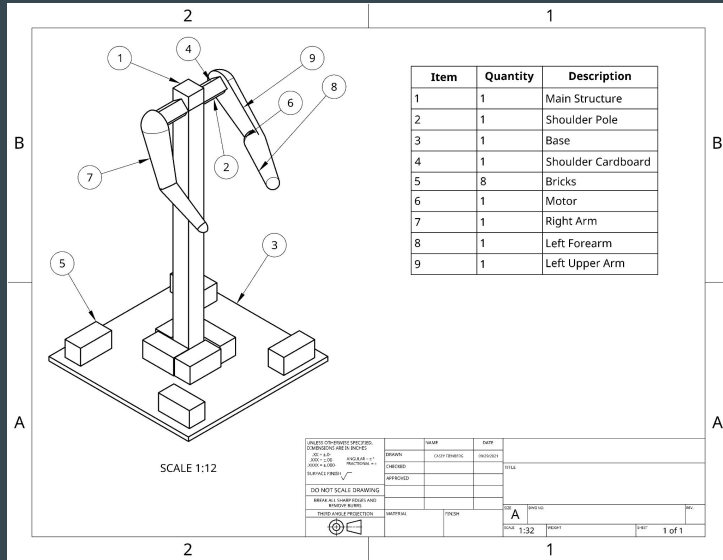
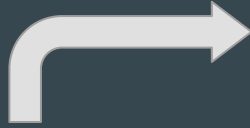


Halloween Animatronic: Update #2



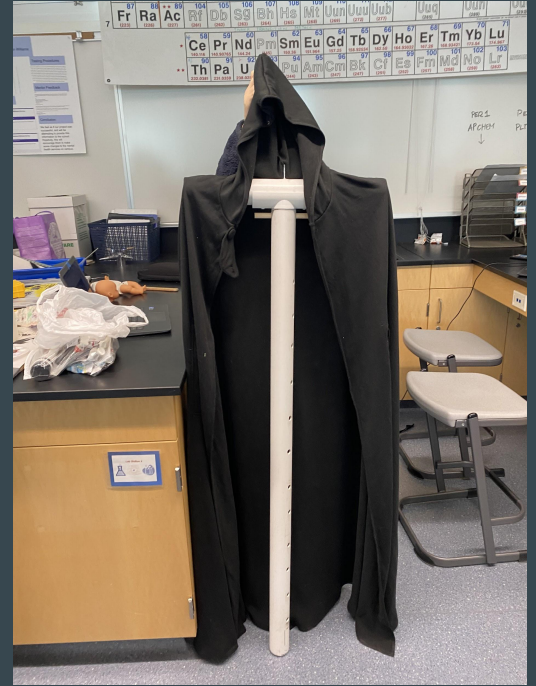
CAKE: Casey, Amelia, Kim, Elisa

Previous Progress



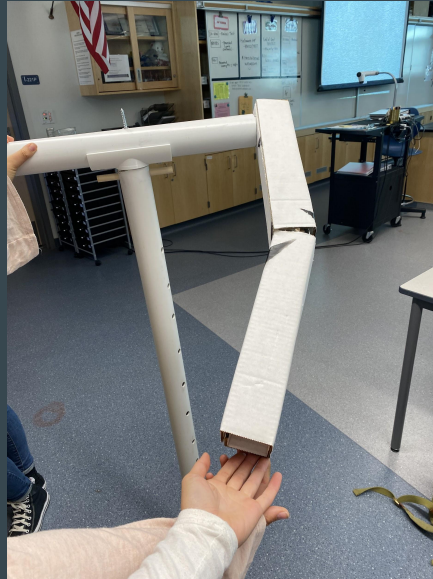
Updates/Latest Progress: Materials

- We have acquired a cloak for Voldemort
- We have acquired a baby doll for baby Harry Potter
- We have 3D printed Voldemort's head



Updates/Latest Progress: Mechanics

- We have built one of Voldemort's arms
- We have attached the shoulders to the head using a 3D printed piece we modeled and a dowel rod
- We have built a base



We're going to make
the scar light up!!
How cool is that?

Issues

- None of us have much coding experience
- We'll need to figure out how to:
 - Utilize a motion sensor
 - Rotate a motor
 - Light up red LEDs
 - Power a speaker

Next Steps

- Buy/acquire laser pointer
- Make/sew sleeves for the Voldemort cloak
- Finish decorating Harry Potter
- Set up mechanics/electronics
 - Voldemort's moving arm
 - Baby Harry's light up scar
 - Baby Harry's crying noise

Thank You!

