

# Halloween Animatronic

---

By CAKE

(Casey, Amelia, Kim, & Elisa)

# Resource Links:

## Halloween Animatronic:

[https://docs.google.com/document/d/1MzpjtEExl9wblKYVkJZqzmXHpJSaH5VkOTCybjLia\\_EM/edit?usp=sharing](https://docs.google.com/document/d/1MzpjtEExl9wblKYVkJZqzmXHpJSaH5VkOTCybjLia_EM/edit?usp=sharing)

## Halloween Project Tasks:

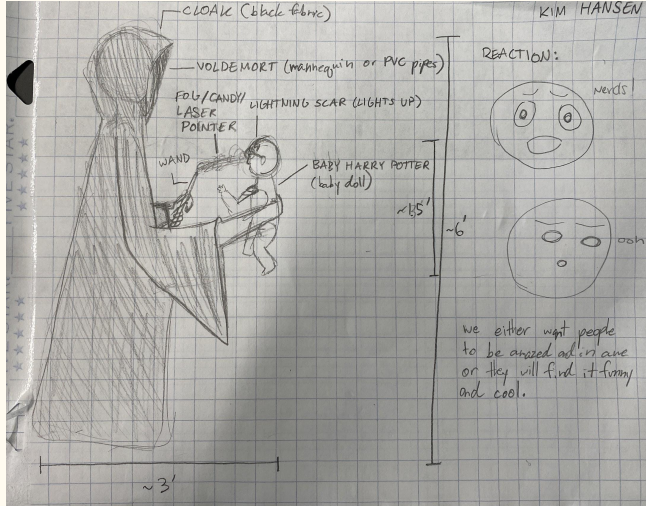
<https://docs.google.com/document/d/1OIZipwL4jgChC4wQrEDIETFI5GfahH4SeIYUu2gIzw/edit?usp=sharing>

# 10/1 Documentation #1

## Description:

Brainstormed on how to bring our idea to life and generated a **Parts List**. Kim and Casey worked on creating the CAD file. Elisa and Amelia worked on gathering and documenting information/process.

## Initial Thoughts/Sketch:

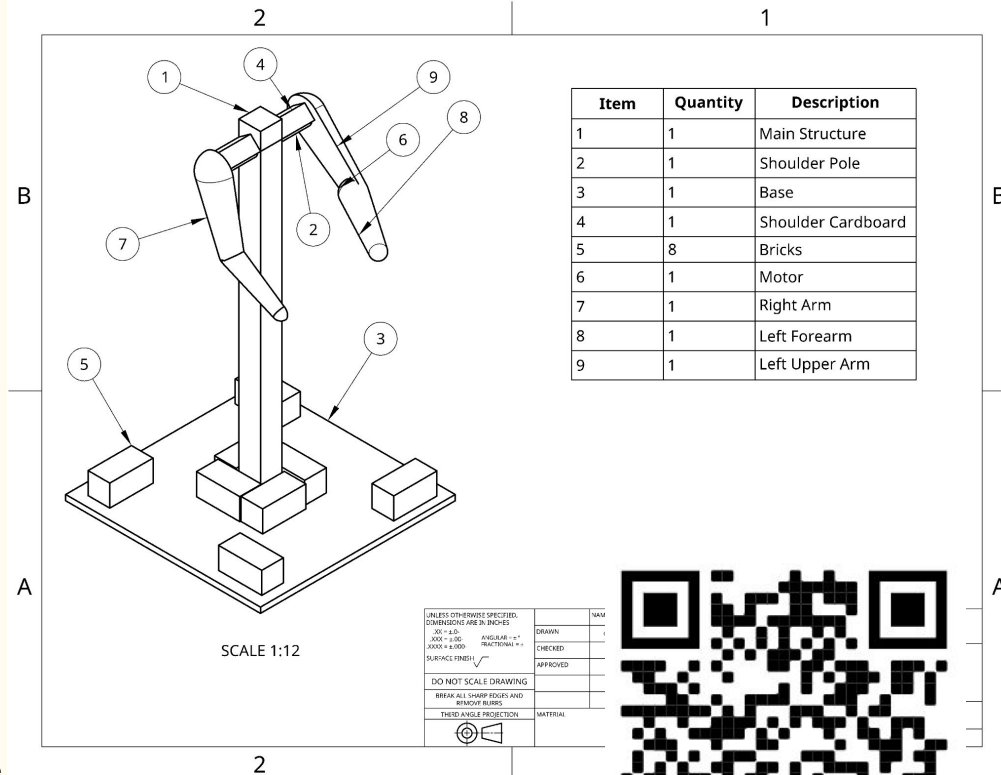


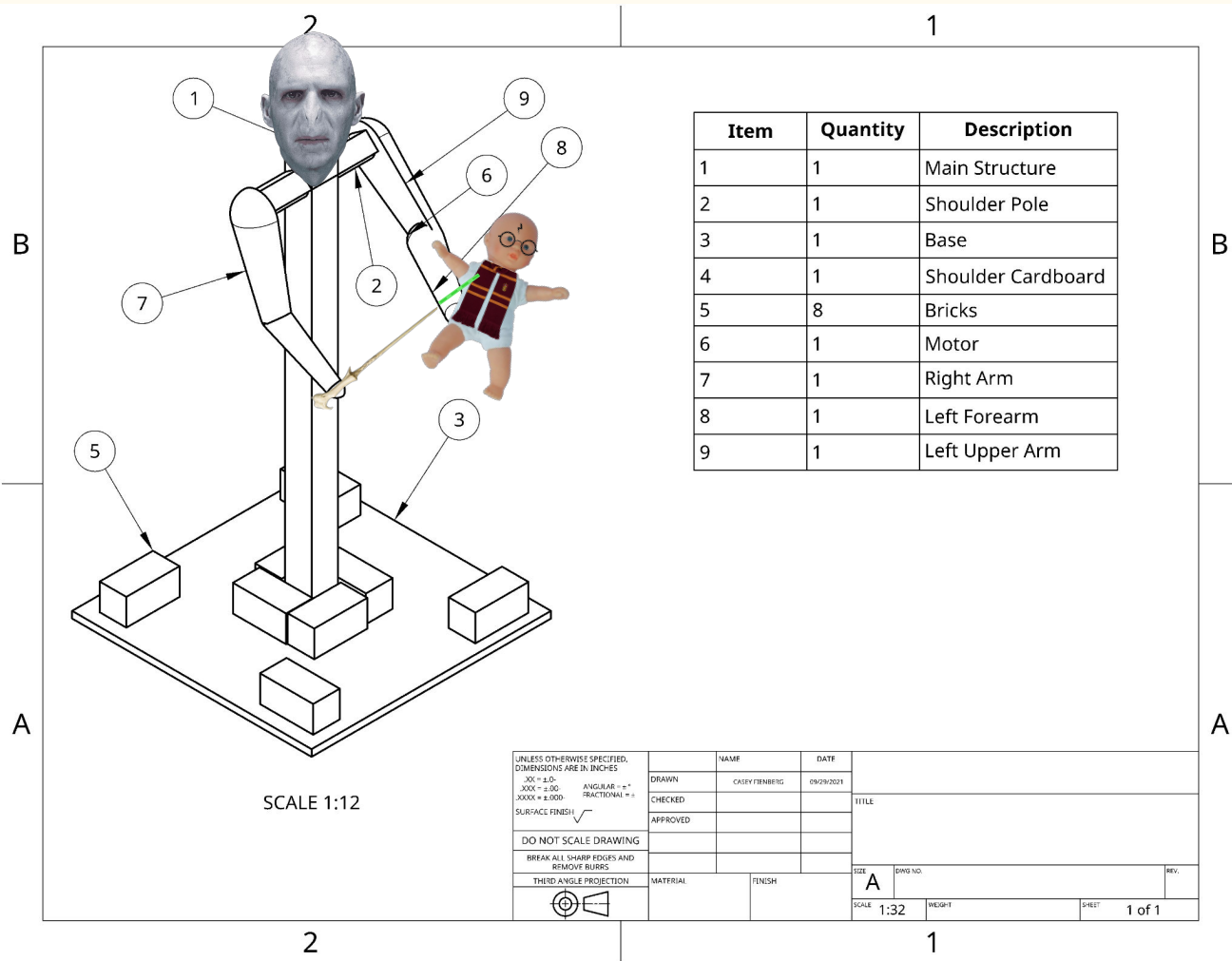
## Issues/Advice:

- Constraints were not cooperating thus preventing movement of the right arm. **Solution:** Turn it off then back on
- How to turn laser pointer on?
- How to insert motor into right elbow mechanism?
- Material for the arm?
- How can we make it more interactive?

## CAD file:

## Parts List:

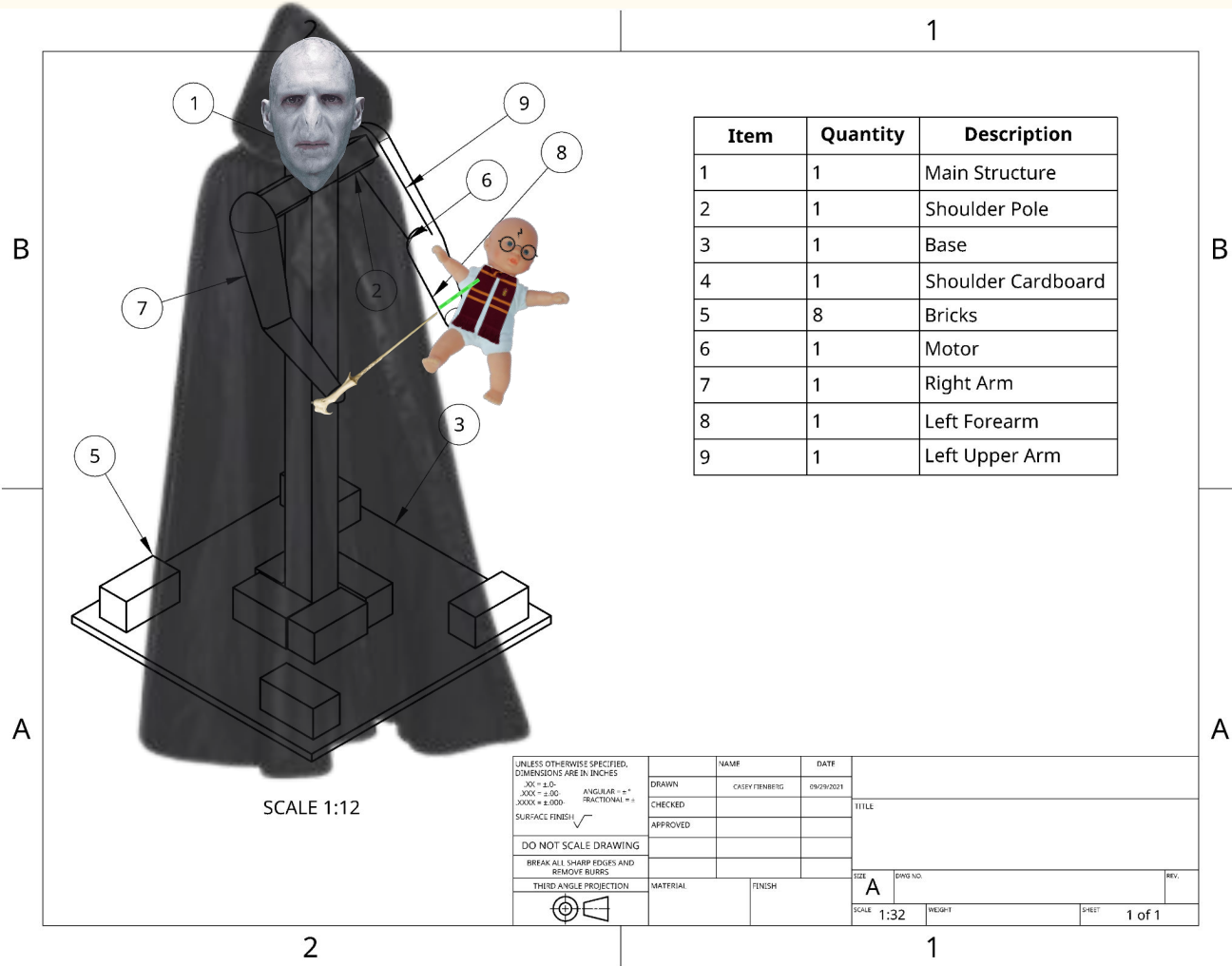




Item	Quantity	Description
1	1	Main Structure
2	1	Shoulder Pole
3	1	Base
4	1	Shoulder Cardboard
5	8	Bricks
6	1	Motor
7	1	Right Arm
8	1	Left Forearm
9	1	Left Upper Arm

SCALE 1:12

UNLESS OTHERWISE SPECIFIED, DIMENSIONS ARE IN INCHES: .XX = ±.01      ANGULAR = ° .XXX = ±.005      FRACTIONAL = ± .XXXX = ±.0025 SURFACE FINISH: ✓		NAME	DATE	TITLE
DRAWN	CASEY FENBERG	09/29/2021		
CHECKED				
APPROVED				
DO NOT SCALE DRAWING				
BREAK ALL SHARP EDGES AND REMOVE BURRS				
THIRD ANGLE PROJECTION		MATERIAL	FINISH	SIZE A
				DWG NO.
				SCALE 1:32
				WEIGHT
				SHEET 1 of 1



Item	Quantity	Description
1	1	Main Structure
2	1	Shoulder Pole
3	1	Base
4	1	Shoulder Cardboard
5	8	Bricks
6	1	Motor
7	1	Right Arm
8	1	Left Forearm
9	1	Left Upper Arm

SCALE 1:12

UNLESS OTHERWISE SPECIFIED, DIMENSIONS ARE IN INCHES:  
 .XX = ±.01      ANGULAR = °  
 .XXX = ±.005      FRACTIONAL = 1/16  
 .XXXX = ±.0025

SURFACE FINISH

DO NOT SCALE DRAWING

BREAK ALL SHARP EDGES AND REMOVE BURRS

THIRD ANGLE PROJECTION

NAME	DATE	TITLE
DRAWN CASEY FEINBERG	09/29/2021	
CHECKED		
APPROVED		
MATERIAL	FINISH	SIZE A DWG NO.
SCALE 1:32		WEIGHT
SHEET 1 of 1		

